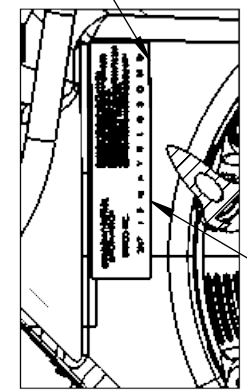
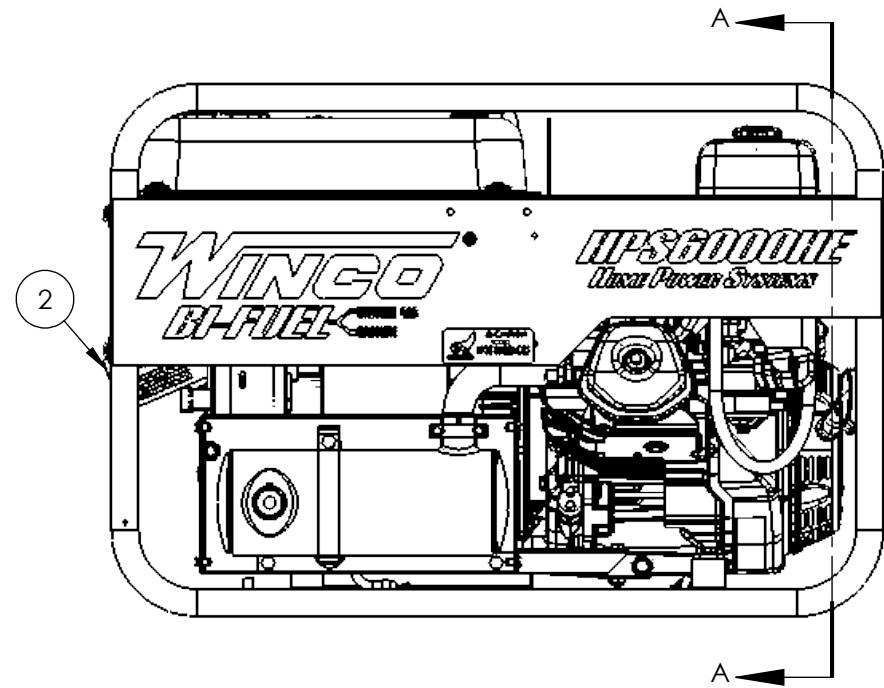
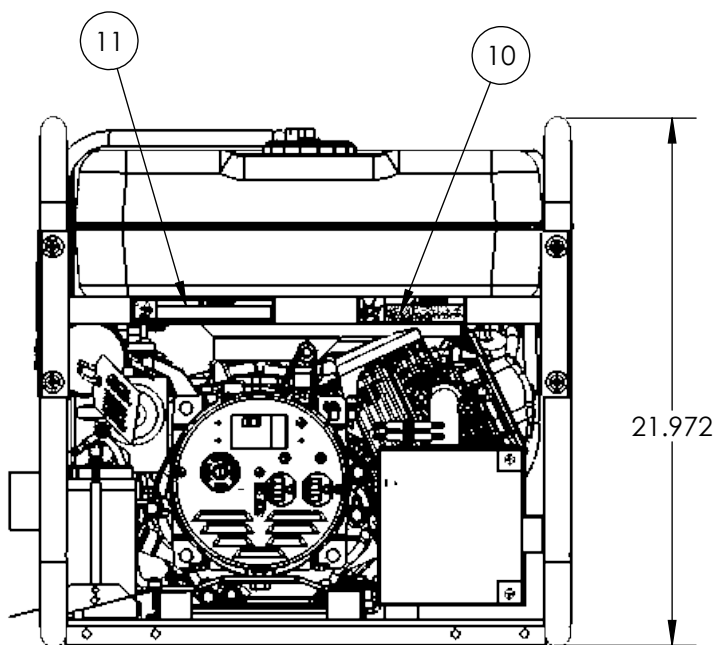
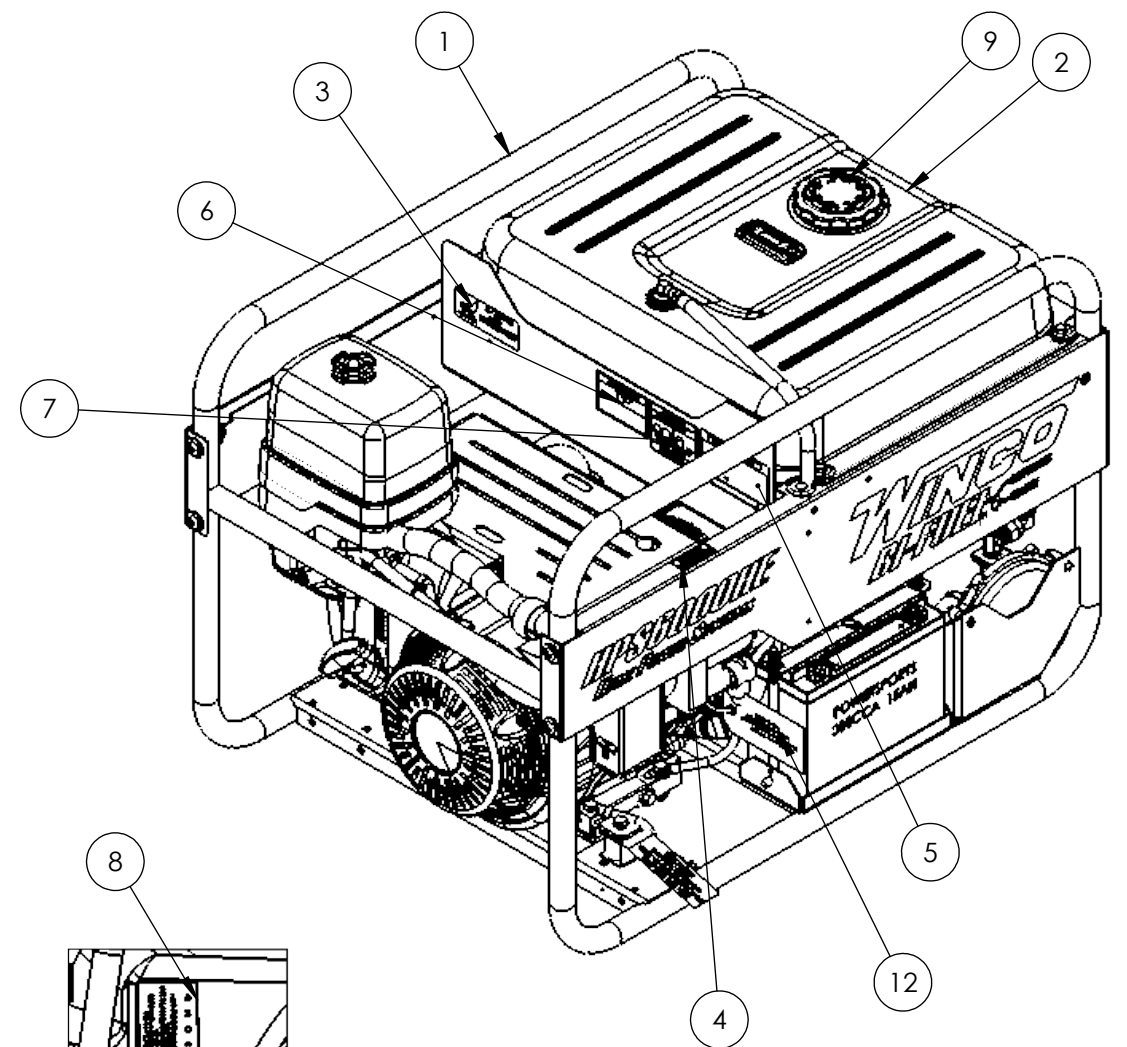
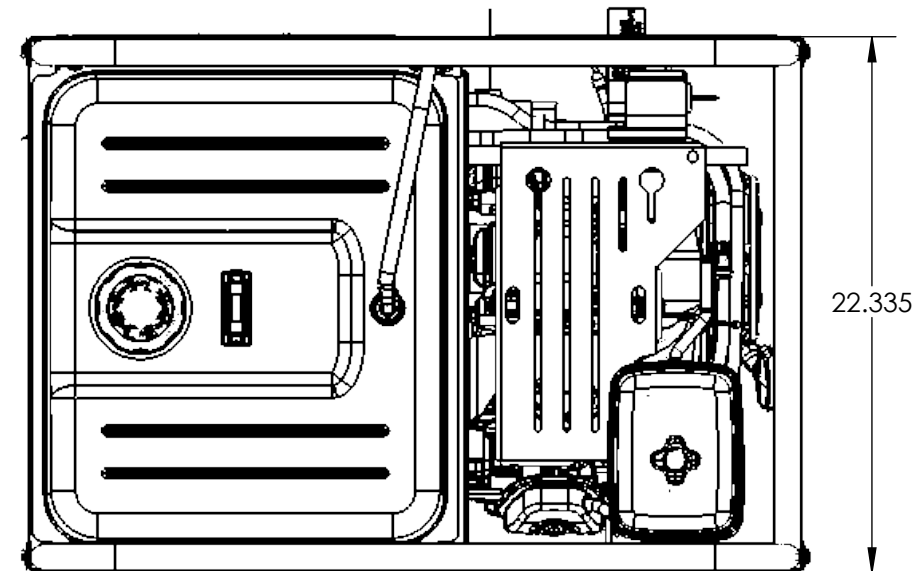


100-9099 I

NOTE: DECAL'S 15209-001, -002 & -003 ARE PART OF DECAL SET 15209-000

ITEM	PART NO.	DESCRIPTION	QTY.
1	18000-005	ENGINE GENERATOR CRADLE ASSEMBLY	1
2	15163-075	FUEL SYSTEM INSTALLATION	1
3	63941-001	DECAL -HOT SURFACES	2
4	15209-014	DECAL - CHECK OIL	1
5	63966-004	NAMEPLATE, WINCO PORTABLE	1
6	15209-002	DECAL-DANGER CARBON MONOXIDE	1
7	64918-000	DECAL-DANGER (CO) USE OUTSIDE	1
8	99877-142	EMISSION LABEL HPS6000HE	1
9	15209-013	DECAL - FUEL TYPE GASOLINE	1
10	15209-000	GASOLINE DECAL	1
11	15209-003	UL-DECAL ELECTRICAL SHOCK CAN KILL	1
12	60710-018	OIL WARNING TAG	1
13	300515-2	OIL, 10W-30	1.25QTS
14	60706-238	OPERATOR'S MANUAL	1
15	100047-723	CARTON 5KW-9KW	1
16	100054-650	BAG 52 X 24 X 45 1.0 MIL	1

REVISIONS					
REV.	IRN	DESCRIPTION	DATE	BY	APP'D
A		ORIGINAL	3/29/2013	MVW	DRC
B	5595	ADD OIL TAG & OIL TO BOM; DISSOLVED DECAL & NAMEPLATE INSTALLATION SUB-ASSEMBLY	7/11/2016	SCN	ZJF
C	6329	REPLACED 99877-139 WITH 99877-142 (UPDATED EMISSION LABELS)	12/6/2016	SEW	DRC



SECTION A-A
SCALE 1 : 3

CLIP MONTH ON EMISSIONS LABEL PRIOR TO INSTALLING. INSTALL DIRECTLY OVER EXISTING EMISSION'S LABEL ON HONDA'S ENGINE.

<p>THIS DRAWING CONTAINS PROPRIETARY INFORMATION BELONGING TO WINCO. UNAUTHORIZED USE IS PROHIBITED.</p> <p>ALL DIMESNIONS INCH</p>	DRAWN BY	DATE	CHK'D BY	DATE	ENG APPR.	DATE
	MVW	3/29/2013			ZJF	7/18/2016
	TOLERANCE:	+/- 0.0625 DECIMAL		TITLE:		
	MODEL:	HPS6000HE		COMPLETE ASSEMBLY		
	PART:		16606-001			

