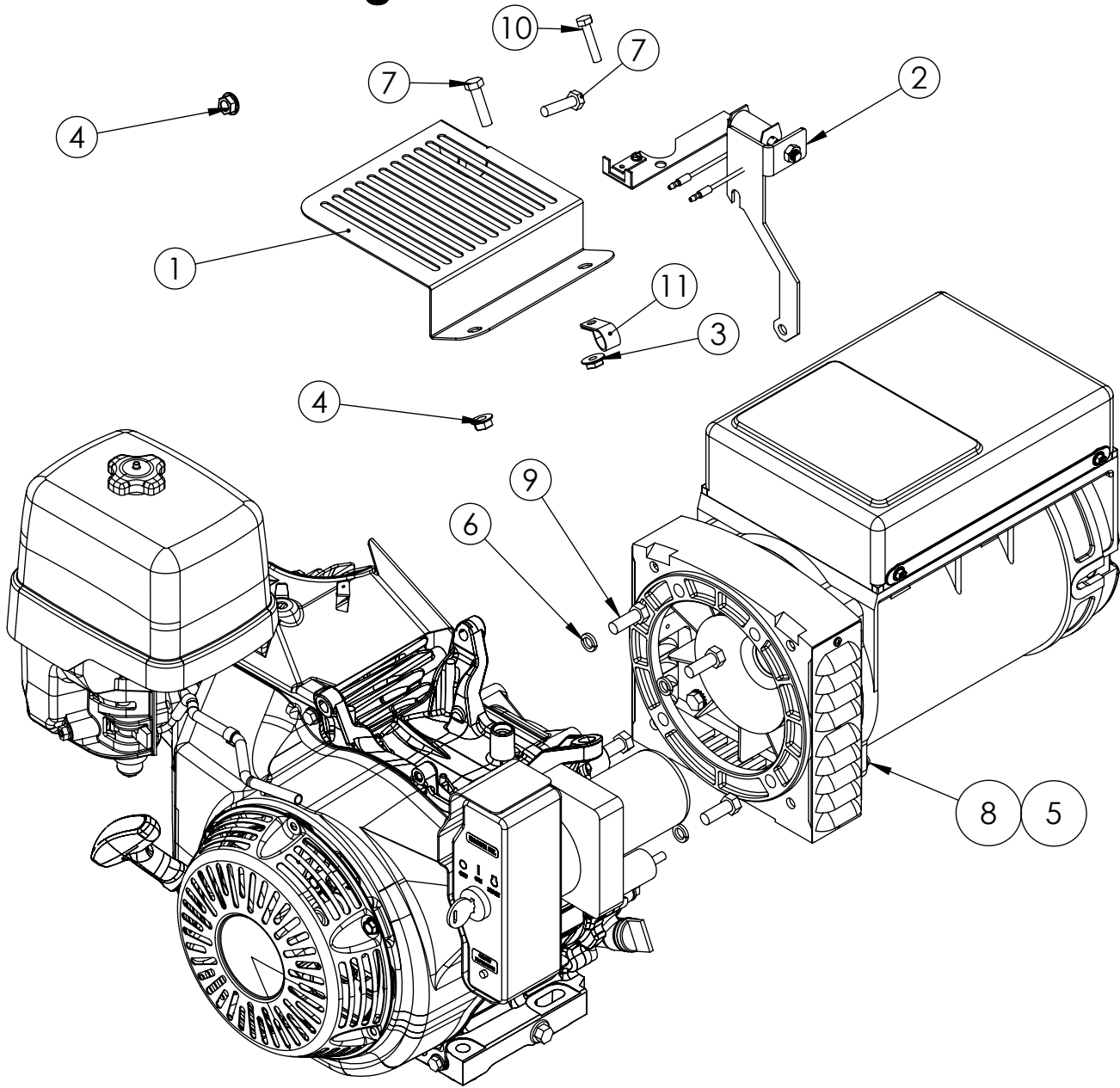


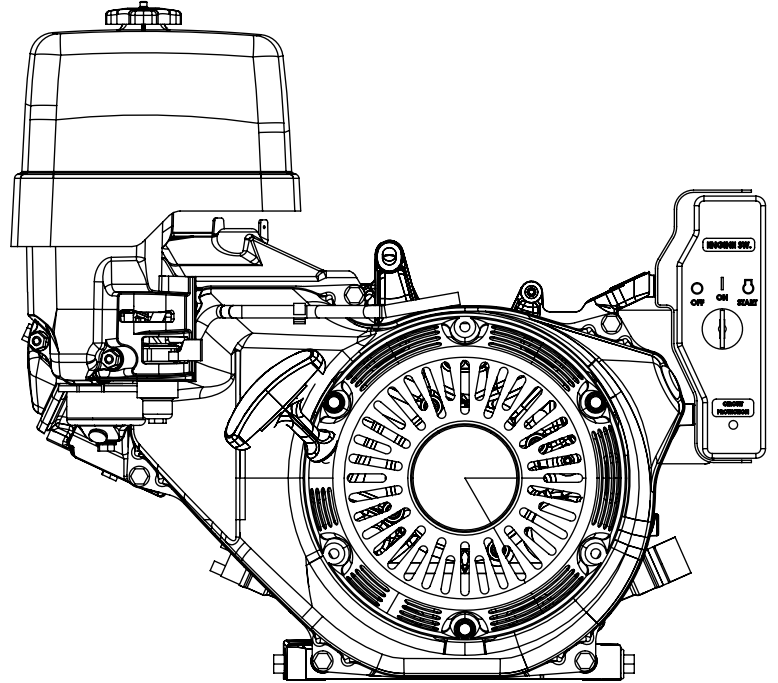
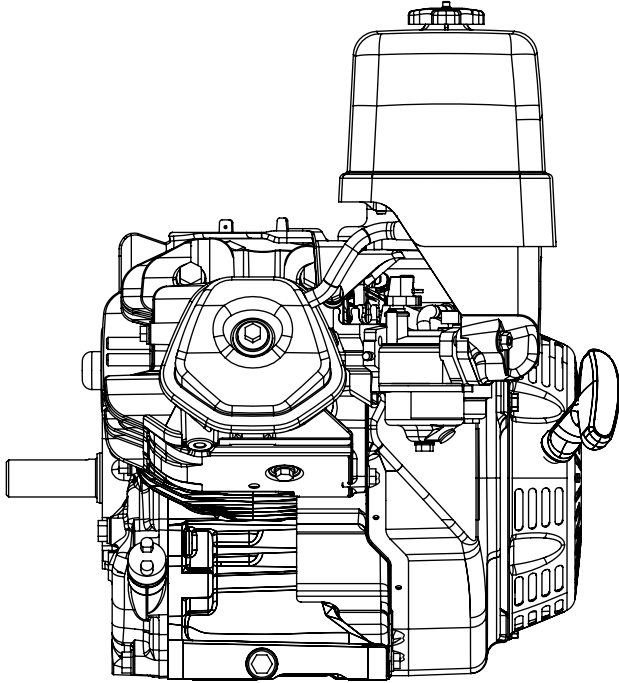
WINCO Service
Phone: 507-357-6831
Email: service@wincogen.com
www.wincogen.com

Engine and Generator



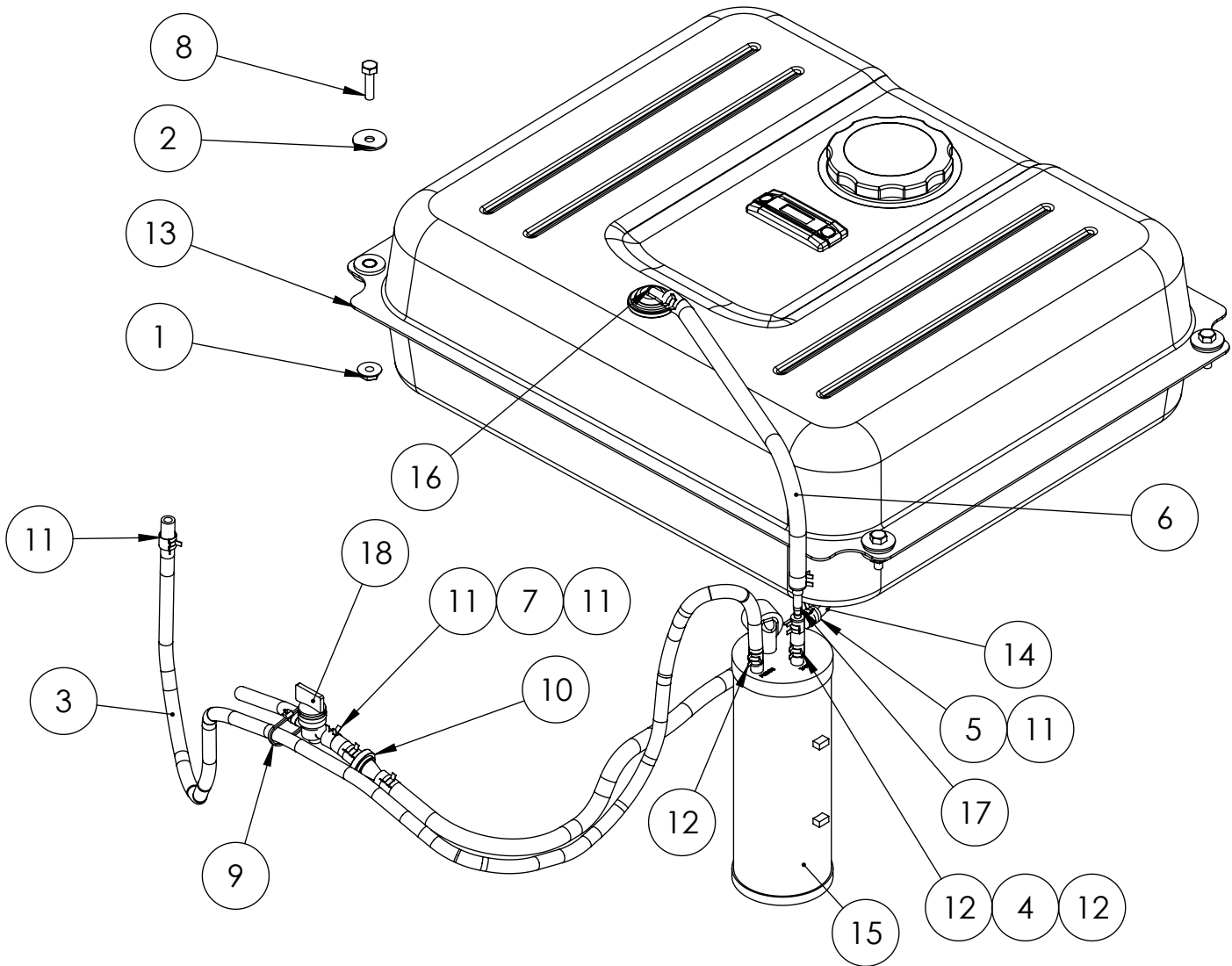
ITEM NO.	PartNo	DESCRIPTION	QTY.
1	15679-010	GOVERNOR COVER	1
2	16178-002	ENGINE IDEL CONTROL INSTALLATION	1
3	16248-000	.25-20 FLANGE NUT	1
4	16249-000	.3125-18 FLANGE	2
5	16446-000	M8-1.25 NYLOCK	4
6	481-000	LOCK 3/8 SPLIT	4
7	580-000	5/16-18X1.25	2
8	64908-001	HHCS M8-1.25X35MM 8.8GR ZINC	4
9	91658-001	.375-16 X 1 HHB	4
10	95281-000	.25-20X1.25 HHB	1
11	97391-002	TUBE CLAMP/CUSH.WIRE 5/8	1

Engine Parts



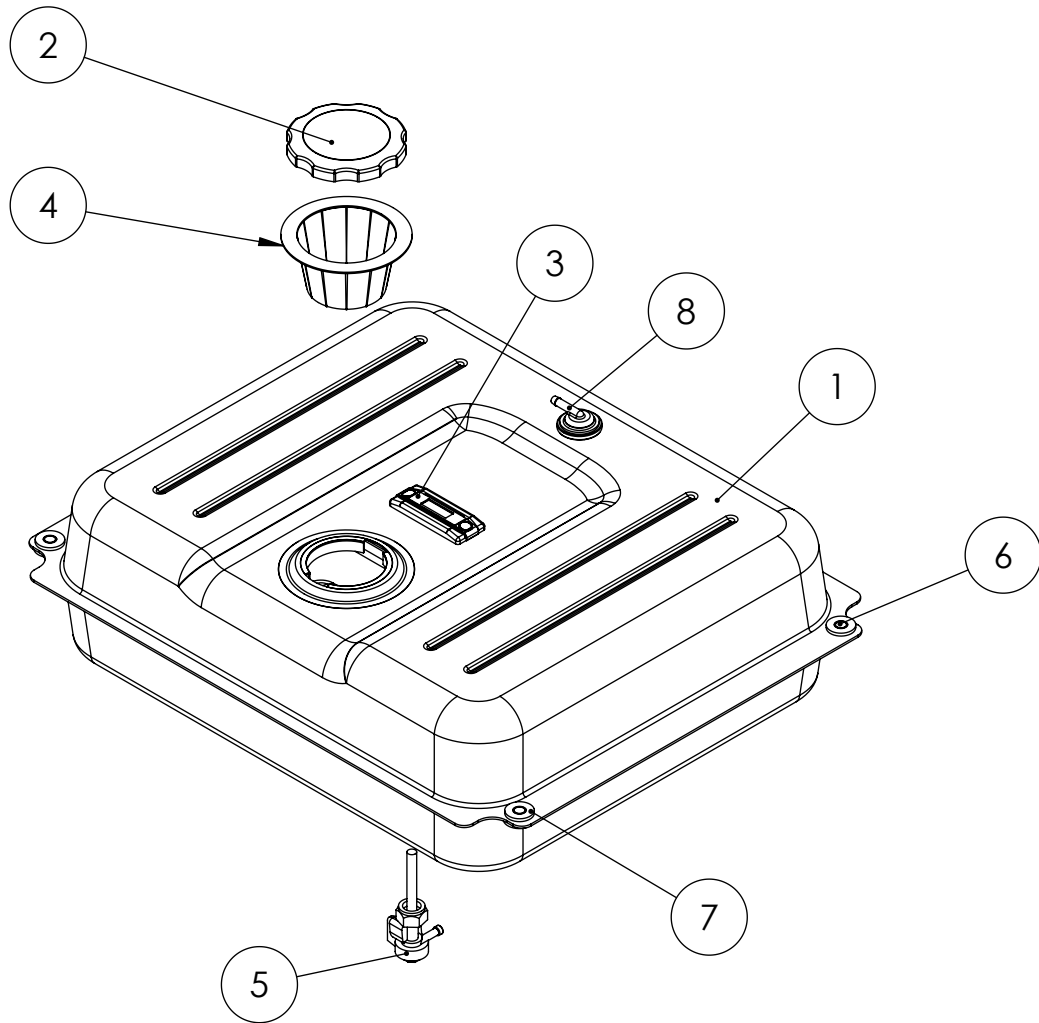
ITEM	PART	DESCRIPTION	QTY
1	1-109 or 1-111	Spark Plug	1
2	1-126	Air Filter	1
Contact WINCO service or your Honda dealer for full engine part support.			

Fuel System



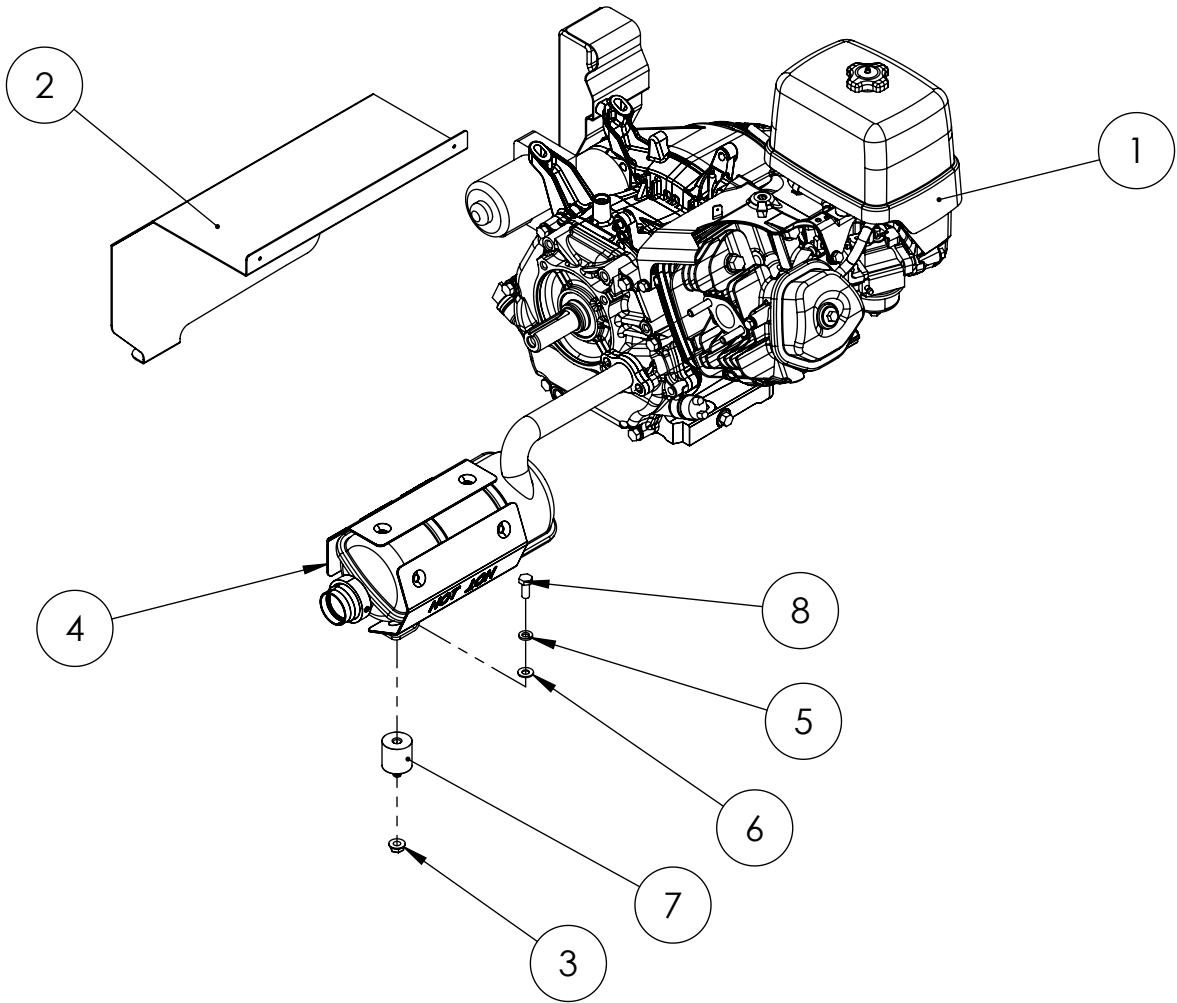
ITEM NO.	PartNo	DESCRIPTION	QTY.
1	16248-000	.25-20 FLANGE NUT	4
2	267-002	FLAT WSH 9/32X1X.063	4
3	40077-004	3/16 FUEL HOSE 43" LONG	1
4	40077-014	3/16 FULE LINE 1.375" LONG	1
5	40078-005	HOSE .25ID 15IN LONG	1
6	40078-028	HOSE 1/4ID RUBBER 13IN CUT	1
7	40078-033	HOSE 1/4ID RUBBER 2" CUT	1
8	439-000	.25-20 X 1 HHB	4
9	49975-011	CABLE TIE 7" BLACK 50# PULL	1
10	62496-005	FUEL FILTER, 40-70MIC	1
11	62999-001	HOSE CLAMP .5 OD RED	7
12	62999-005	HOSE CLAMP .41 OD GREEN	3
13	64024-013	FUEL TANK 7 GAL. STEEL GASOLINE	1
14	64024-101	90 DEGREE FUEL TANK ELBOW	1
15	80902-000	CARBON CANISTER, 7 GAL.	1
16	80903-002	SLOSH VALVE 1/4" HOSE	1
17	98590-002	HOSE REDUCER 1/4X3/16 (SCP)	1
18	98771-005	FUEL VALVE 1/4" HOSE BARB	1

Fuel Tank



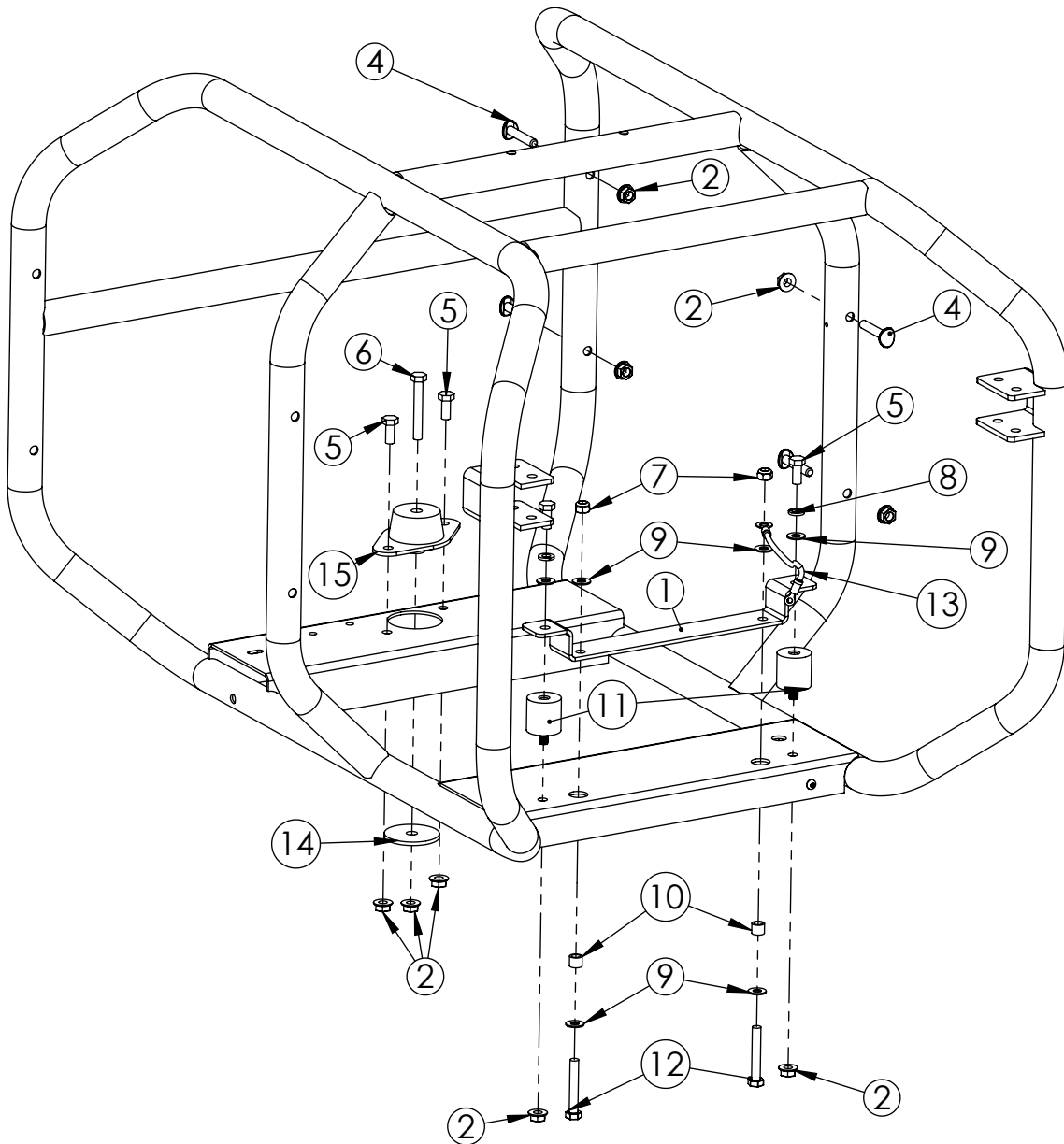
ITEM NO.	PART NUMBER	DESCRIPTION	QTY.
1	64024-013	FUEL TANK 7 GAL STEEL GASOLINE	1
2	64024-401	FUEL CAP, SEALED, AUDIBLE, TETHERED	1
3	64024-402	FUEL LEVEL GAUGE - 112 MM	1
4	64024-403	FUEL FILL FILTER	1
5	64024-404	168B FUEL CONTROL VALVE	1
6	64024-405	ANTI-CRUSH INSERT	4
7	64024-406	RUBBER BUSHING	4
8	80903-002	SLOSH VALVE 1/4" HOSE	1
ALL ITEMS LISTED ABOVE IN THIS TABLE ARE INCLUDED WITH A 64024-013 FUEL TANK PURCHASE.			
9	61273-262	TOUCH UP PAINT, BLACK 3048	-

Exhaust System



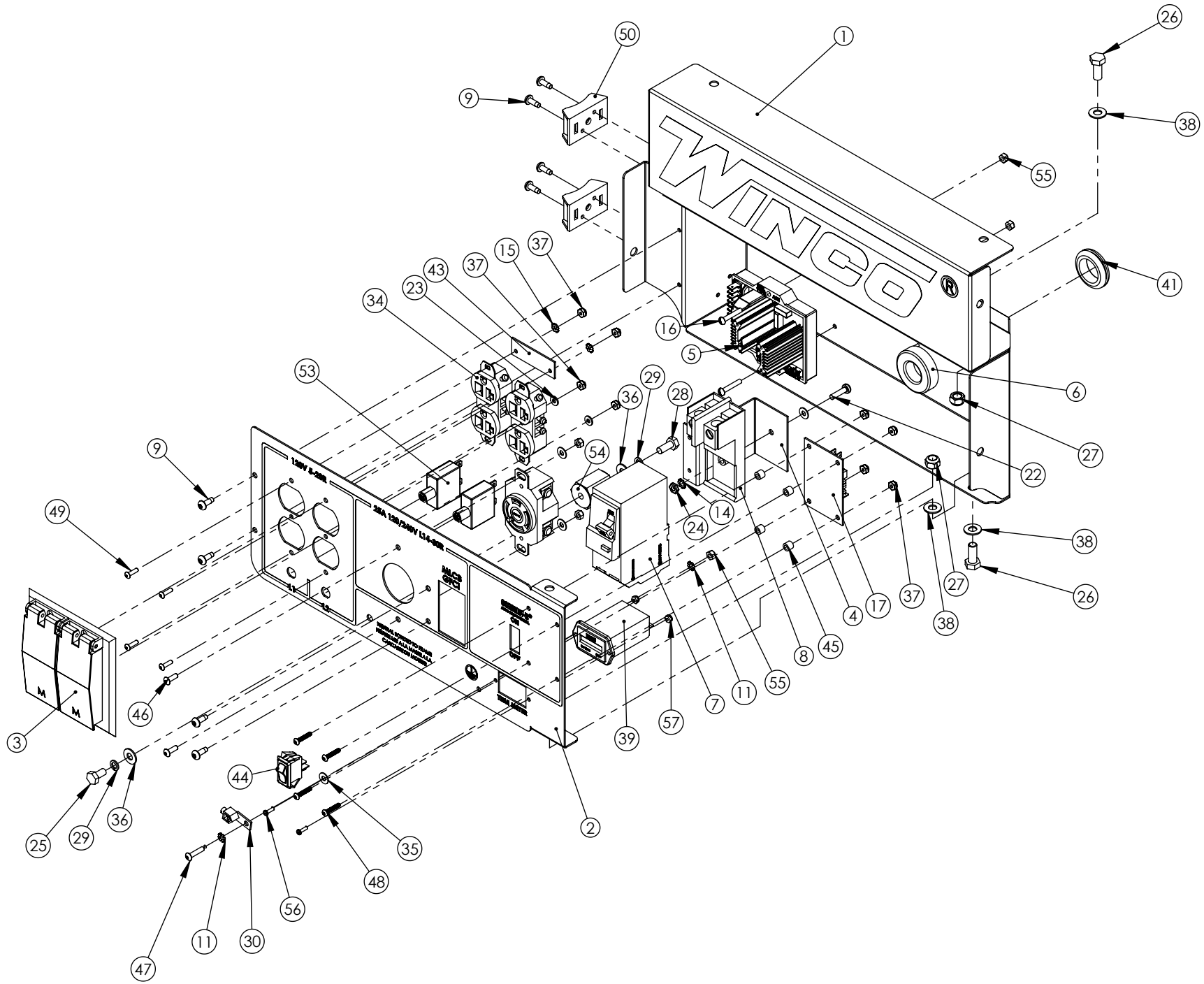
ITEM NO.	PartNo	DESCRIPTION	QTY.
1	15428-000	HONDA ENGINE GX340	1
2	15687-044	MUFFLER HEAT SHIELD	1
3	16249-000	.3125-18 FLANGE	1
4	350590-19	MUFFLER	1
5	480-000	5/16 SPLIT LOCKWASHER	1
6	526-000	WASHER .3125 ID	1
7	64062-000	SHOCKMOUNT, BLACK 40 DURO	1
8	467-000	.3125-18X .75 HHB HEX BOLT	1

Cradle Assembly



ITEM NO.	PartNo	DESCRIPTION	QTY.
1	15929-009	SHOCKMOUNT ADAPTER	1
2	16249-000	.3125-18 FLANGE	9
3	21698-001	TORX PAN HEAD SCREW #10	1
4	23590-002	CURVED HEAD BOLT 5/16-18 X 1 3/4	4
5	467-000	.3125-18X .75 HHB HEX BOLT	4
6	471-000	5/16-18 X 2.25	1
7	47136-000	HEX NUT .3125-18 NYLOK	2
8	480-000	5/16 SPLIT LOCKWASHER	2
9	526-000	WASHER .3125 ID	6
10	62825-014	SPACER .312 ID X .375 LONG	2
11	64062-000	SHOCKMOUNT, BLACK 40 DURO	2
12	91672-009	5/16-18 X 2	2
13	9769-145	LEADWIRE ASSY 6.5"	1
14	98806-000	WASHER .406 X 2	1
15	98807-002	SHOCK MOUNT	1

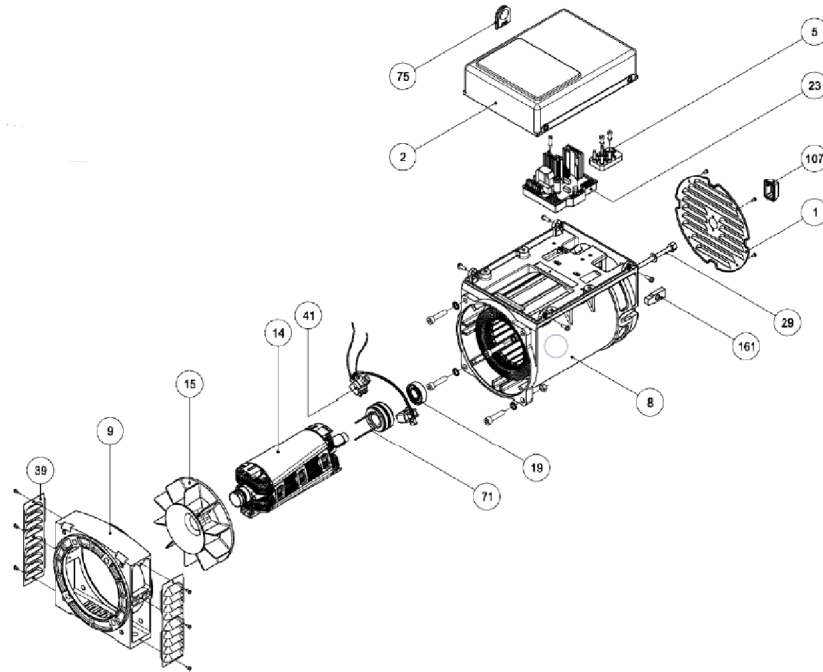
Receptacle Panel Assembly



Receptacle Assembly Bill of Material

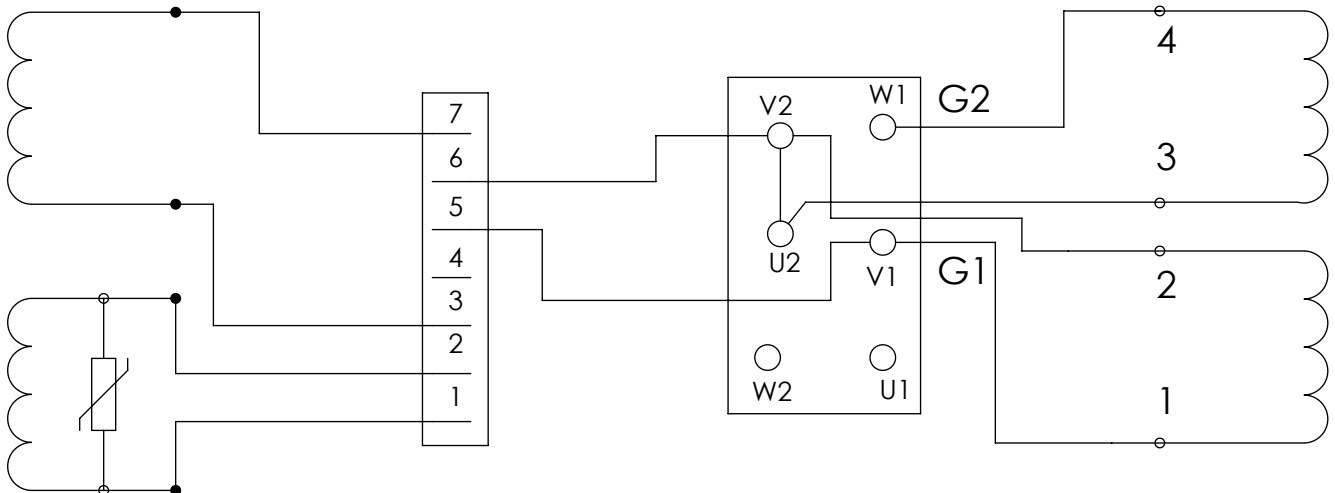
ITEM NO.	PartNo	DESCRIPTION	QTY.
1	15221-046	RECEPTACLE BOX	1
2	15458-049	RECEPTACLE PANEL	1
3	15620-009	STD DUPLEX COVER 5-20R	1
4	16319-000	BRACKET, C.B. MOUNTING	1
5	16346-420	VOLTAGE REGULATOR	1
6	16385-000	TRANSFORMER, IDLE CONTROL	1
7	16488-016	CIR.BRK.25A-2PL-240V-GFCI	1
8	16489-001	2 POLE CIRCUIT BRK. TERM. BLOCK	1
9	21698-001	TORX PAN HEAD SCREW #10	8
10	21850-011	TERMINAL HOOK 12-10 AWG #10STUD	4
11	21976-000	#8 LOCKWASHER EXTERNAL TOOTH	2
12	22370-007	TERMINAL SPADE 16/14AWG #10STUD	4
13	22370-013	TERMINAL, SPADE, 12-10AWG, #10 STUD	1
14	22423-000	LOCKWASHER #10 EXTERNAL	1
15	22989-000	#6 LOCKWASHER	2
16	23599-000	RHMS 8-32 X 1	2
17	300042-1	IDLE CONTROL MODULE	1
18	4155-000	TERMINAL LUG (RING)	2
19	4156-000	TERMINAL RING 12-10 #10 STUD	1
20	4158-000	TERMINAL RING 16-14 AWG #10	3
21	4160-000	TERMINAL, RING, 16-14AWG, 1/4 STUD	4
22	420-000	RHMS 10-24 X .75	1
23	425-000	#6 FLATWASHER	2
24	456-000	10-24 HEX NUT	1
25	463-000	HEX BOLT .25-20X.50	1
26	467-000	.3125-18X .75 HHB HEX BOLT	2
27	47136-000	HEX NUT .3125-18 NYLOK	2
28	476-000	.25-20X.625 HHB	1
29	479-000	LOCK WASHER, .25" SPLIT	2
30	48042-001	TERMINAL, GROUND LUG, 6-14AWG	1
31	48602-001	TERMINAL FEMALE 16/14AWG .250	1
32	48602-004	TERMINAL MALE 16-14 AWG .250 TAB	6
33	49975-013	CABLE TIE 14IN BLACK 120# PULL	2
34	50766-000	NEMA 5-20R DUPLEX RECEPTACLE	2
35	511-000	#8 FLATWASHER	4
36	512-000	.25 WASHER	2
37	51802-000	NUT HEX #6-32 NYLOCK	8
38	526-000	WASHER .3125 ID	3
39	58166-001	ELAPSED TIME METER	1
40	61898-000	TERMINAL FLAG 16/14AWG .250	12
41	62486-000	GROMMET 1 X 1.375	1
42	62495-000	TERMINAL BULLET FEMALE	2
43	64045-041	MOUNTING STRAP, 2 HOLE, 1.800 IN	1
44	64089-000	SPST, ROCKER SWITCH	1
45	64855-001	NYLON SPACER, .171ID X .25 LONG	4
46	64858-013	8-32 X 1/2" BUTTON HEAD CAP SCREW	2
47	64858-014	8-32 X .75 BUTTON HEAD CAP SCREW	1
48	64858-018	6-32 x .75 BHSCS	4
49	64858-019	6-32 X .5 BHSCS	4
50	81902-000	MOUNTING BRACKET	2
51	81963-002	TERMINAL RING 22-16 AWG #10 STUD	1
52	81964-000	TERMINAL FEMALE 22-18 GA .250	7
53	91286-001	CIRCUIT BREAKER, 20A, 1 PL	2
54	94378-000	STAND-OFF INSULATOR	1
55	95985-000	#8-32 NYLOK HEX NUT	5
56	97322-000	RHMS 4-40X3/8	2
57	97327-000	HEX NUT 4-40 NYLOK	2
58	97360-000	RECEPTACLE, NEMA L14-30R 120 240V	1

Generator Information

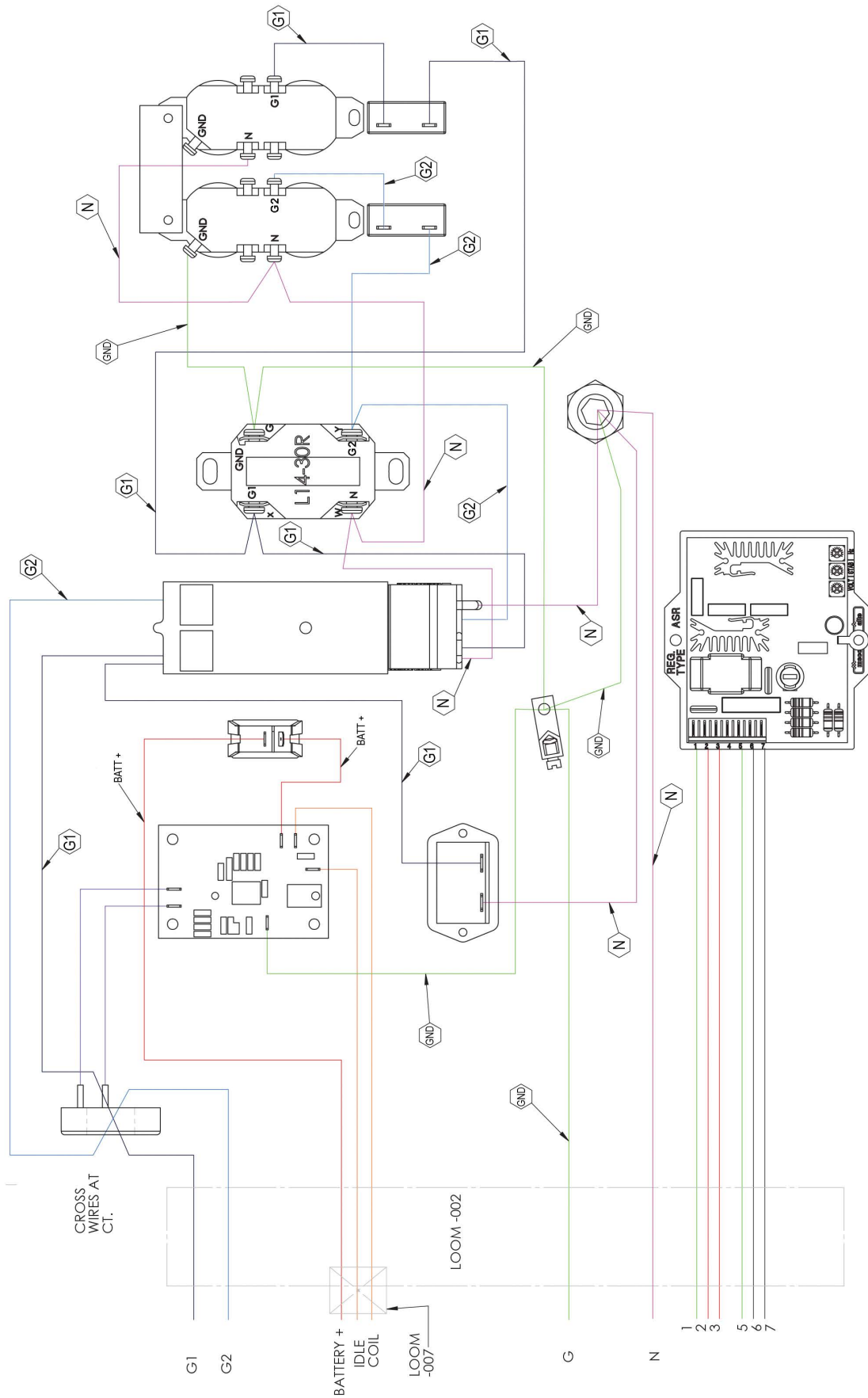


ITEM	DESCRIPTION	PART NO.
	GEN END, ES16F-160/A, 6.8kW	16346-027
2	TERMINAL BOX LID	9-101
23	ASR ELECTRONIC REGULATOR	16346-420
41	BRUSH GEAR ASSEMBLY	9-103
75	RUBBER GROMMET	9-104
107	GRID RUBBER CAP	9-105
Individual parts not listed may be obtained from www.meccalte.com . WINCO Inc sells the complete generator end of the individual parts listed above.		

ES16F-160 Expected Resistance (Ω)		
Rotor	Stator	Auxiliary
8.378	0.510	0.920



Receptacle Wiring Diagram



Engine Wiring

ELECTRIC START TYPES WITH OIL ALERT® AND 1 AND 3 AMP CHARGE SYSTEMS

Bl	BLACK	Gr	GRAY
Y	YELLOW	R	RED
W	WHITE	G	GREEN

